

sensorProbe2

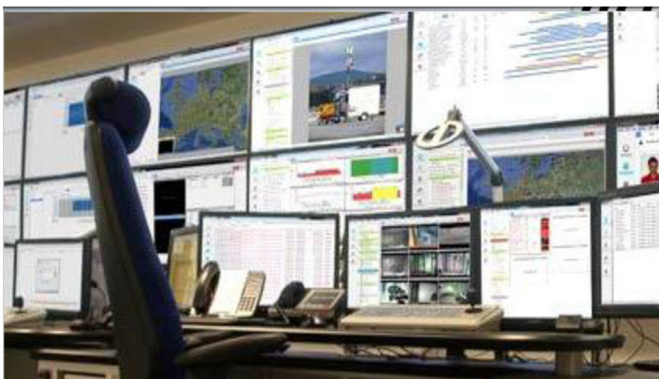


Simple, Accurate and Rugged, sensorProbe2 is a low cost SNMP enabled and Web-Based Environmental Monitoring Device.

Based on years of Industry experience it's ready to run right out of the box, simply assign the IP address and connect to the embedded web server.

AKCess Pro Server

Free with all AKCP hardware



Take control of your data center power distribution, sensor monitoring, access control and security cameras. All from a single piece of software

Create custom maps of data rooms. Overlay power outlets, environmental sensors, access points and security cameras

Deploy a hierarchy of notifications using SMS. Email or relay actions to trigger corrective action. Monitor cabinet security and record video events of unauthorized cabinet entry attempts and more..

Introducing the sensorProbe2



sensorProbe2 has been field-proven with versatile measurement options. It can be configured to prevent specific kinds of exposure to humidity, water leakage, gas, airflow and low / high temperature, etc. It does support other sensors which can monitor voltage drop, security, analog and dry contacts. It is customizable to any other sensors like Motion, Gas and Sound Sensors.

sensorProbe2 Monitoring System

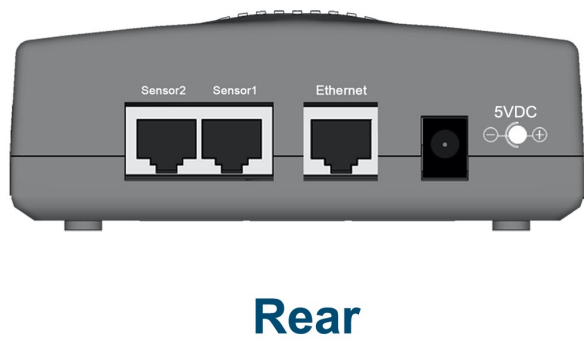
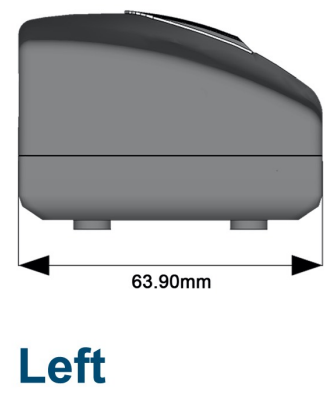
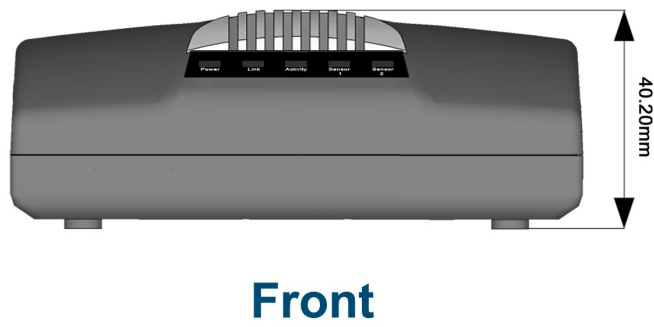
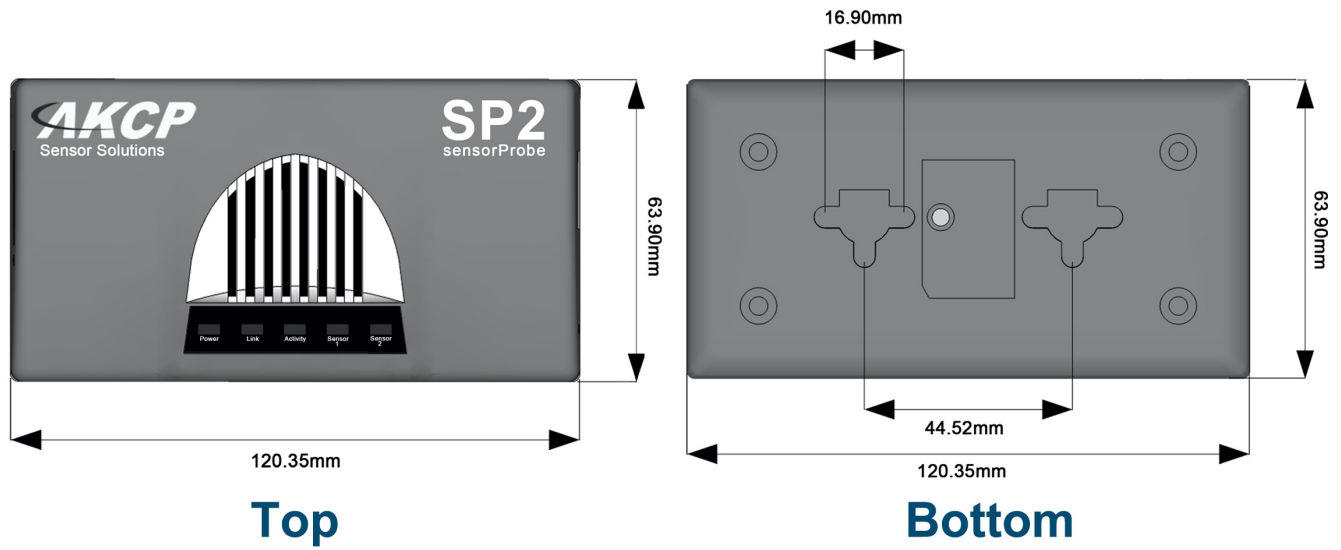
A wide range of our intelligent sensors are supported. Plug any sensor into the sensorProbe2 and our autosense feature will recognize the type and automatically configure it. The SP2 monitors your equipment's environmental variations, and notifies you through "Email or SNMP Alerts in your Network Management system" in advance and prevents any disaster. The user-friendly web interface allows you to monitor and control the sensorProbe2 from anywhere remotely. It also provides you the graphical representation of environmental conditions. sensorProbe2 has been tightly integrated with Network Management Systems like HP Openview, CA TNG Unicenter, IBM Tivoli and WhatsUp Gold.

sensorProbe2's Main Features

The sensorProbe2 is designed to run for years non-stop. Our simple port system system allows you to setup the sensorProbe2 within minutes.

- Includes Temperature Sensor, SNMP MIB and Integrated Software
- Supports all Major Communications Protocols
- Embedded Web Server
- Supports up to 2 Intelligent Sensors
- Supports up to 10 Dry Contact Inputs
*Use two 5DCS sensors and the DCUPGSP2 Code.
- Full SNMP v1 compliance
- Includes SNMP MIB
- Includes SNMP Utilities for setting and getting parameters
- Supports SNMP polling to allow sensor values to be collected and graphed
- Send Trap Notifications
- Send Email Notifications
- Include Sensor Description and current Sensor Values in Notifications
- User configurable Sensor Thresholds
- Use the built in "Continuous Time" feature to eliminating false alerts and notifications
- Optional PoE (Power over Ethernet) that is IEEE 802.3af compliant
- 100MB Full Duplex Ethernet port

Technical Drawing



Technical Specifications

Dimension :	Size 4.5" x 2.5" x 1.25" Weight 0.242 pounds
Network Interface :	Standard 100MB Full Duplex Ethernet RJ-45 Port
Mounting :	0u rack-mount, or wall hanging
Power Requirements :	Voltage 5VDC 3Amp
Status Indication :	LED indication for Power LED for Network Connectivity LED for sensor online and Threshold status
Output :	Configurable output signals (0VDC/5VDC) on any of the 2 RJ-45 sensor ports
Power Consumption :	Typical 1.125 Watt, 0.15A
Operating Environment :	Temp : Min. -35°C - Max.80°C Humidity : Min. 20% - Max. 80% (Non-Condensing)
Components :	Manufactured using highly integrated, low power surface mount technology to ensure long term reliability.
Inputs :	2 RJ-45 ports for connecting AKCP sensors Up to 10 dry contact inputs
PoE – Power Over Ethernet :	SP2 PoE is IEEE 802.3af compliant

Industry Certifications & Network Management Systems

AKCP offers NMS Integration for leading network management systems such as:

- AdRem NetCrunch
- IBM Tivoli
- SiteScope
- Quest Software – Big Brother
- Lorient Pro
- Somis WebNM and Denika
- Castle Rock
- Logalot
- WhatsUp Gold
- HP OpenView
- MRTG
- Computer Associates Unicenter TNG

Support and Warranty

- **5 year Limited Warranty.**
- **Unlimited Lifetime Support.**
- **Free Firmware Updates**
- **Full, Easy to Follow Documentation.**

About AKCP

AKCP established in the USA in 1981, created the market for networked temperature, environmental and power monitoring solutions. Today with over 100 employees and 130,000 installations, AKCP is the world's oldest and largest manufacturer of SNMP enabled networked sensors for the data center.